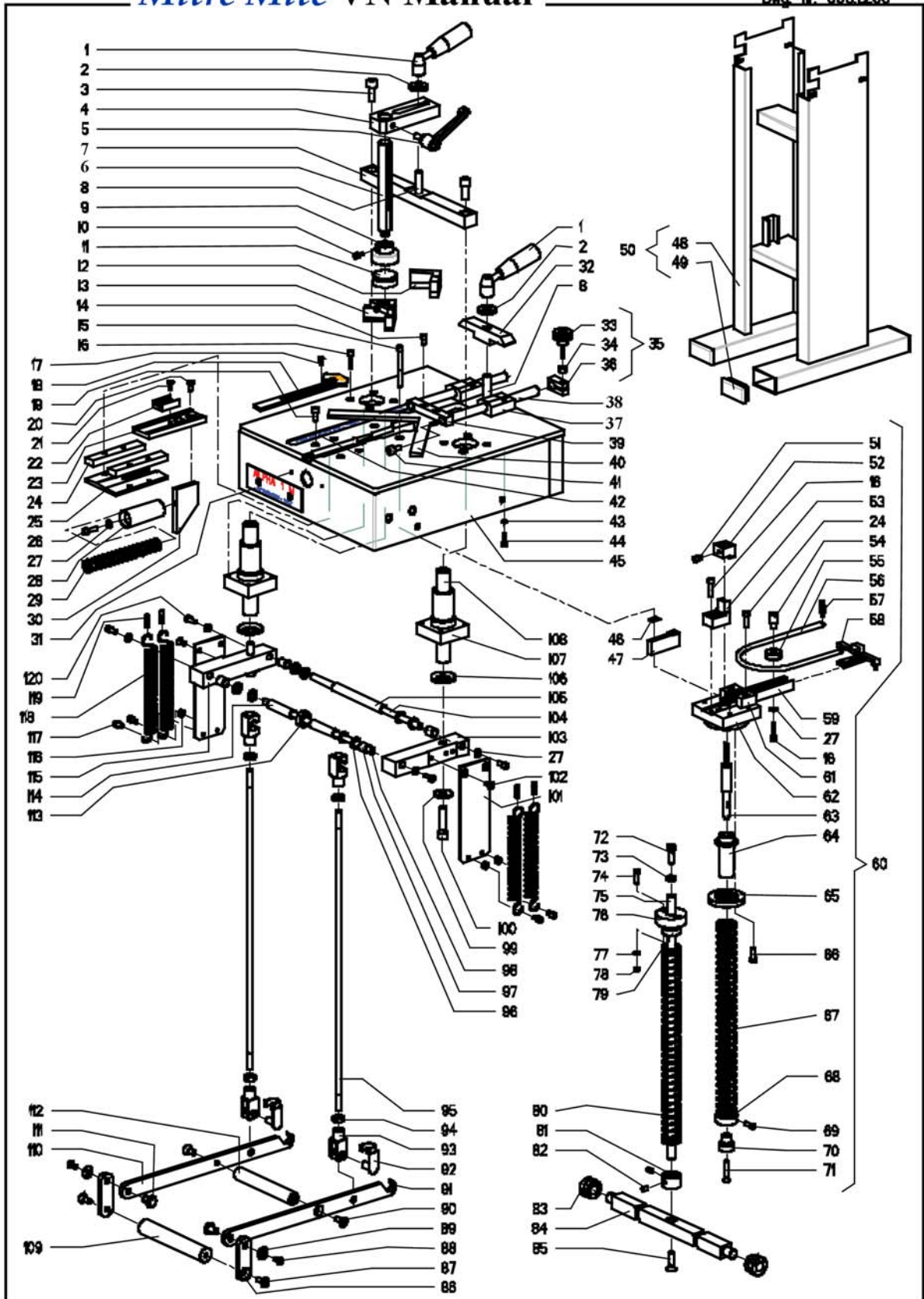
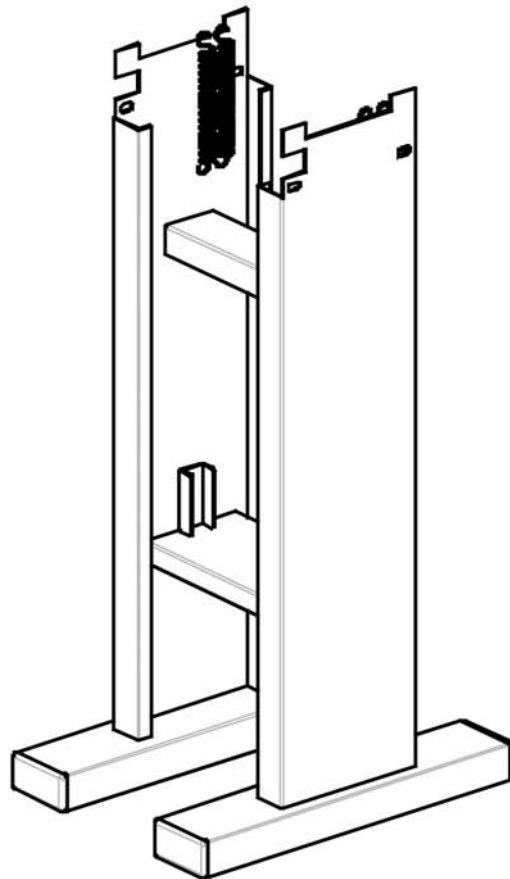
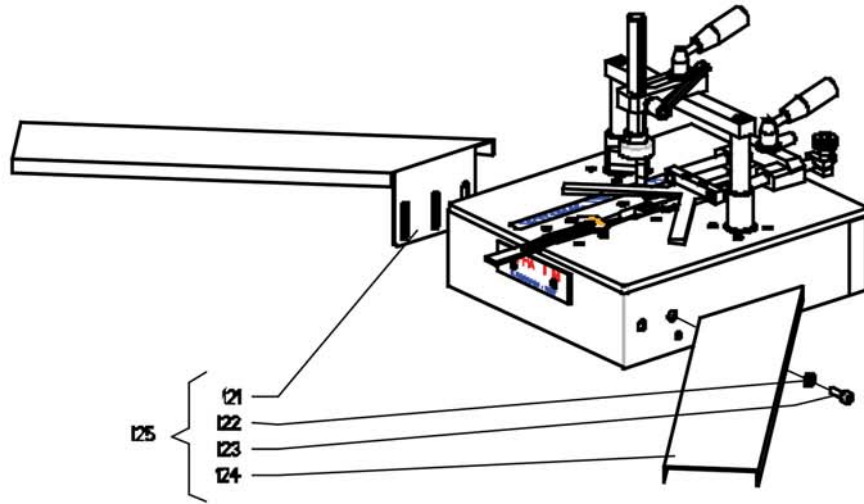


Mitre Mite VN Manual

Dwg. nr. 006.1200





Please Note: Parts in bold red text are available for purchase online at: www.itwamp.com

Mitre Mite® VN Manual

Dwg 006.1.200

| Ref. | Item | Qty | Description |
|-----------|------------------|----------|--|
| 1 | 244660010 | 2 | Ratchet Handle For Top Slide 12mm x 1.25 |
| 2 | 336100030 | 2 | Washer OD=30 ID=12 |
| 3 | 710100151 | 2 | Screw |
| 4 | 383600061 | 1 | 5" Hold Down Rod Clamp 14mm |
| 5 | 243170010 | 1 | Ratchet Handle for Hold Down |
| 6 | 244120120 | 1 | Magnetic rod complete |
| 6 | 334000181 | 1 | Hold Down Rod D=20 L=160 |
| 7 | 376400010 | 1 | Support |
| 8 | 714300041 | 2 | Set Screw 12 x 60 1.25 Pitch |
| 9 | 244120130 | 1 | Base For magnetic hold Down |
| 10 | 710100042 | 1 | Screw SCS 5x10 |
| 11 | 242230010 | 1 | Round pressure plate with felt for magnetic base |
| 11 | 242230040 | 1 | Round pressure plate with rubber for magnetic base |
| 12 | 242230020 | 1 | Square pressure plate with felt for magnetic base |
| 12 | 242230140 | 1 | Square pressure plate with rubber for magnetic base |
| 13 | 242230060 | 1 | Square pressure plate with rubber bolt on part |
| 14 | 710100072 | 2 | Screw |
| 15 | 710100086 | 4 | Screw |
| 16 | 710100079 | 12 | Screw |
| 17 | 366210080 | 1 | Screw |
| 18 | 242170140 | 1 | Front Clamp VNM |
| 19 | 710100075 | 4 | Screw |
| 20 | 710200057 | 2 | Screw |
| 21 | 710200047 | 1 | Screw |
| 22 | 392750040 | 1 | Support |
| 23 | 383900600 | 1 | Support |
| 24 | 381600150 | 2 | Spacer |
| 25 | 381301180 | 1 | Support |
| 26 | 710100077 | 3 | Screw |
| 27 | 718100003 | 7 | Washer |
| 28 | 336500230 | 1 | Bushing |
| 29 | 765000022 | 1 | Spring |
| 30 | 381301190 | 1 | Support |
| 31 | 365211060 | 1 | Plate |
| 32 | 383600040 | 1 | Support |
| 33 | 753320002 | 2 | Fence Stop Clamp Knob |
| 34 | 336100020 | 2 | Washer For Fence Stop Clamp |
| 35 | 243150010 | 2 | Complete clamp |
| 36 | 393150010 | 2 | Fence Stop Clamp |
| 37 | 334000400 | 2 | Slide |
| 38 | 383900010 | 2 | Support |
| 39 | 383900020 | 1 | Support |
| 40 | 375200010 | 1 | Fence 90 Degree |
| 41 | 710100112 | 2 | Screw |
| 42 | 366710050 | 1 | Inch rule |
| 43 | 718100002 | 6 | Washer |
| 44 | 710100045 | 4 | Screw |
| 45 | 211250330 | 1 | Casing |
| 46 | 381600100 | 4 | Spacer |
| 47 | 381300080 | 2 | Support |
| 48 | 291670100 | 1 | Base |
| 49 | 752600001 | 2 | Lid |
| 50 | 240450120 | 1 | Complete floor stand |
| 51 | 710100070 | 3 | Screw SCS 6 x 8 |
| 52 | 394950060 | 1 | Nail Head H5 |
| 52 | 394950020 | 1 | Nail Head H7 |

Please Note: Parts in bold red text are available for purchase online at: www.itwamp.com

Mitre Mite® VN Manual

| Ref. | Item | Qty | Description |
|------------|------------------|----------|------------------------------------|
| 52 | 394950030 | 1 | Nail Head H10 |
| 52 | 394950040 | 1 | Nail Head H12 |
| 52 | 394950050 | 1 | Nail Head H15 |
| 53 | 384200050 | 1 | L Block- Support |
| 54 | 337500220 | 2 | Spacer |
| 55 | 337000070 | 2 | Pulley |
| 56 | 765000018 | 2 | Feed Spring 0.8 x 7.5 x 250 |
| 57 | 393850010 | 2 | Spring support |
| 58 | 245450020 | 1 | Clawpusher with arm |
| 59 | 398350031 | 1 | Steel nail magazine 2000+ |
| 60 | 224240170 | 1 | Complete head |
| 61 | 383600020 | 2 | Block for magazine |
| 62 | 352200240 | 1 | Head |
| 63 | 298420080 | 1 | Piston and driver blade |
| 64 | 337000110 | 1 | Slide bushing |
| 65 | 336100510 | 1 | Washer |
| 66 | 710100076 | 2 | Screw |
| 67 | 765000021 | 1 | Spring |
| 68 | 338500010 | 1 | Ring nut |
| 69 | 710100044 | 1 | Screw |
| 70 | 337000120 | 1 | Bushing |
| 71 | 710200064 | 1 | Screw |
| 72 | 710600009 | 1 | Screw |
| 73 | 715350004 | 1 | Nut |
| 74 | 710100051 | 2 | Screw |
| 75 | 334000340 | 1 | Stem |
| 76 | 337000130 | 1 | Bushing |
| 77 | 718300003 | 2 | Washer |
| 78 | 715650002 | 2 | Nut |
| 79 | 337500460 | 1 | Bushing |
| 80 | 765000022 | 1 | Spring |
| 81 | 337500391 | 1 | Spacer |
| 82 | 714300017 | 2 | Set screw |
| 83 | 337000140 | 2 | Bushing |
| 84 | 381300701 | 1 | Support |
| 85 | 710200085 | 1 | Screw |
| 86 | 381300940 | 2 | Support |
| 87 | 710200081 | 2 | Screw |
| 88 | 710200063 | 2 | Screw |
| 89 | 336100520 | 2 | Washer |
| 90 | 710200058 | 2 | Screw |
| 91 | 381300950 | 1 | Support DX |
| 92 | 753820002 | 2 | Clips |
| 93 | 753770002 | 2 | Fork |
| 94 | 715650011 | 4 | Nut |
| 95 | 334000350 | 2 | Rod |
| 96 | 395150070 | 2 | Fork |
| 97 | 718100005 | 8 | Washer |
| 98 | 337500430 | 4 | Spacer |
| 99 | 718150005 | 2 | Washer |
| 100 | 710100158 | 2 | Screw SCS 10 x 45 |
| 101 | 373400521 | 2 | Plate |
| 102 | 710200059 | 4 | Screw |
| 103 | 381301070 | 1 | Support DX |
| 104 | 334000360 | 2 | Rod |
| 105 | 337500440 | 2 | Spacer |

Please Note: Parts in bold red text are available for purchase online at: www.itwamp.com

Mitre Mite® VN Manual

Dwg 006.1.200

| Ref. | Item | Qty | Description |
|-------------|------------------|------------|--------------------------|
| 106 | 336100530 | 2 | Washer |
| 107 | 352200250 | 2 | Head |
| 108 | 334000330 | 2 | Stem |
| 109 | 337500410 | 2 | Spacer |
| 110 | 381300951 | 1 | Support SX |
| 111 | 334500170 | 2 | Pin |
| 112 | 337500420 | 1 | Spacer |
| 113 | 740550018 | 1 | Bearin box |
| 114 | 337500470 | 2 | Spacer |
| 115 | 381301060 | 1 | Support SX |
| 116 | 715650003 | 2 | Nut |
| 117 | 710100098 | 2 | Screw |
| 118 | 765800003 | 2 | Spring |
| 119 | 393850020 | 2 | Spring support |
| 120 | 710100074 | 4 | Screw |
| 121 | 710100115 | 4 | Screw |
| 122 | 391650511 | 1 | Extension SX |
| 123 | 718100004 | 4 | Washer |
| 124 | 391650501 | 1 | Extension DX |
| 125 | 291650010 | 1 | Extension Arm Set |