

Onyx 90 Media Cutter

Parts Manual



Professional Picture Frame Equipment
441 South Whitted Street
Hendersonville, NC 28739

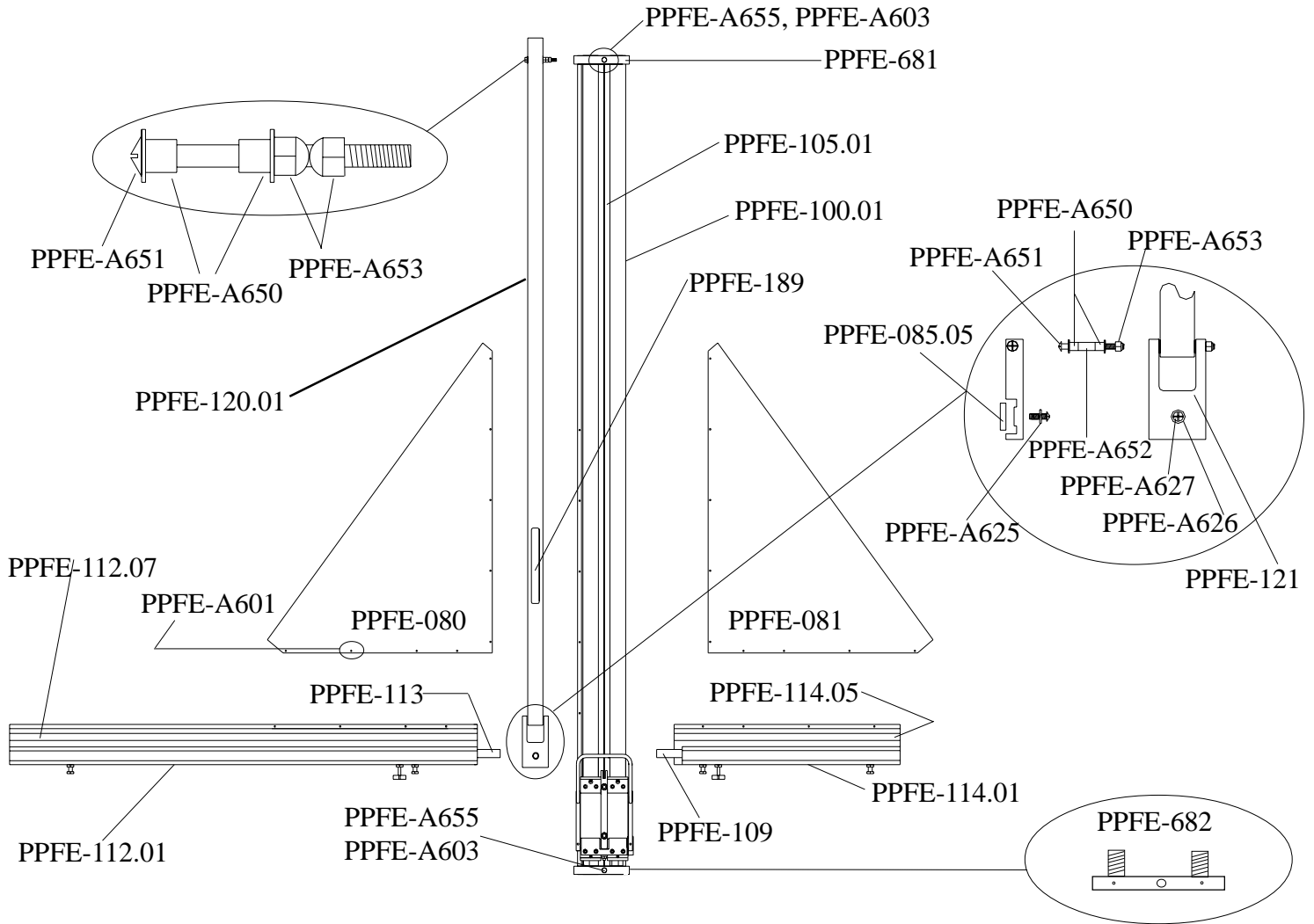
The World's Best Media Cutter

Thank you for purchasing the Onyx 90 Media Cutter.

The following parts manual gives you a complete breakdown of all replaceable parts for the Onyx 90.

To order a part for your Onyx 90 please review this manual, make note of the listed page and part number and call our Office at 1-828-707-5848 to talk with a Sales associate who will gladly assist you with placing your order.

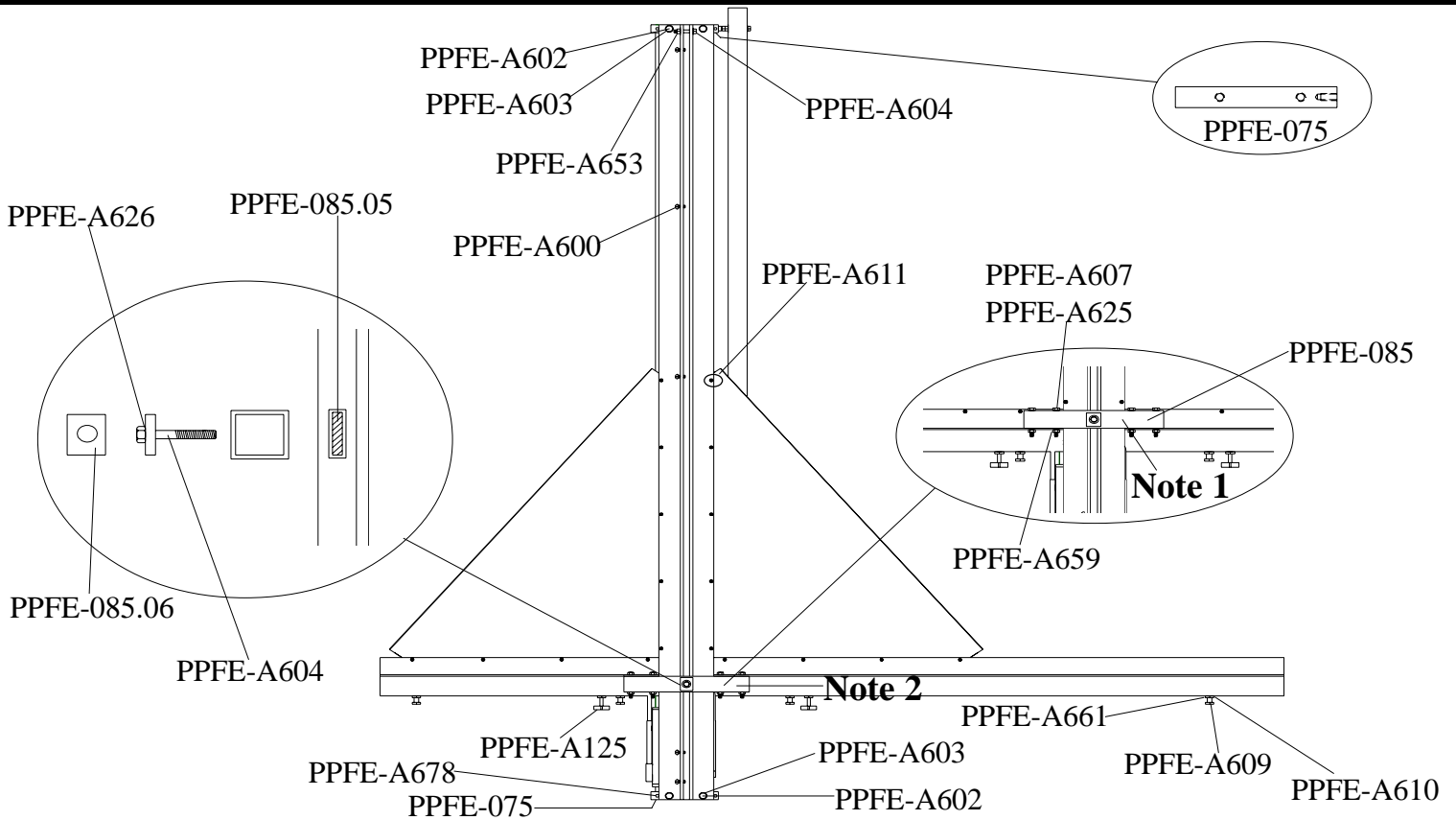
Onyx 90 Media Cutter



Front Main View		
PART #	DESCRIPTION	QTY
PPFE-080	Left SS Gusset	1
PPFE-081	Right SS Gusset	1
PPFE-085.05	T-Nut	1
PPFE-100.01	Vertical Extrusion	1
PPFE-105.01	Vert.-L to R. Scale 50''	1
PPFE-109	Right Side Cutting Bed	1
PPFE-112.01	Left Horizontal Extrusion	1
PPFE-112.07	Horiz-R to L Scale 50''	1
PPFE-113	Left Side Cutting Bed	1
PPFE-114.01	Right Horizontal Extrusion	1
PPFE-114.05	Horiz-L to R. Scale 50''	1
PPFE-120.01	Media Clamp Tube	1
PPFE-121	Lower Media Clamp Bracket	1

Front Main View		
PART #	DESCRIPTION	QTY
PPFE-189	Media Clamp Handle	1
PPFE-681	Bearing Tube Strap Clamp-Top	1
PPFE-682	Bearing Tube Strap Clamp With Springs-Bottom	1
PPFE-A601	4/40 x 3/8'' Machine Screw	18
PPFE-A603	7/8'' Flat Washer	2
PPFE-A625	1/4'' Flat Washer	1
PPFE-A626	Ext. tooth lock washers 1/4	1
PPFE-A627	1/4-20 x 3/4'' CRMS Fastener	1
PPFE-A650	Brz. Flanged Bearing 1/4'' x 3/8''	4
PPFE-A651	1/4-20 X 2 3/4'' CRMS fastener	2
PPFE-A652	Vinyl Tubing	1
PPFE-A653	Nylock Nut 1/4-20	3
PPFE-A655	5/16-18 x 2 3/4 Hex Cap Screw	2

Onyx 90 Media Cutter



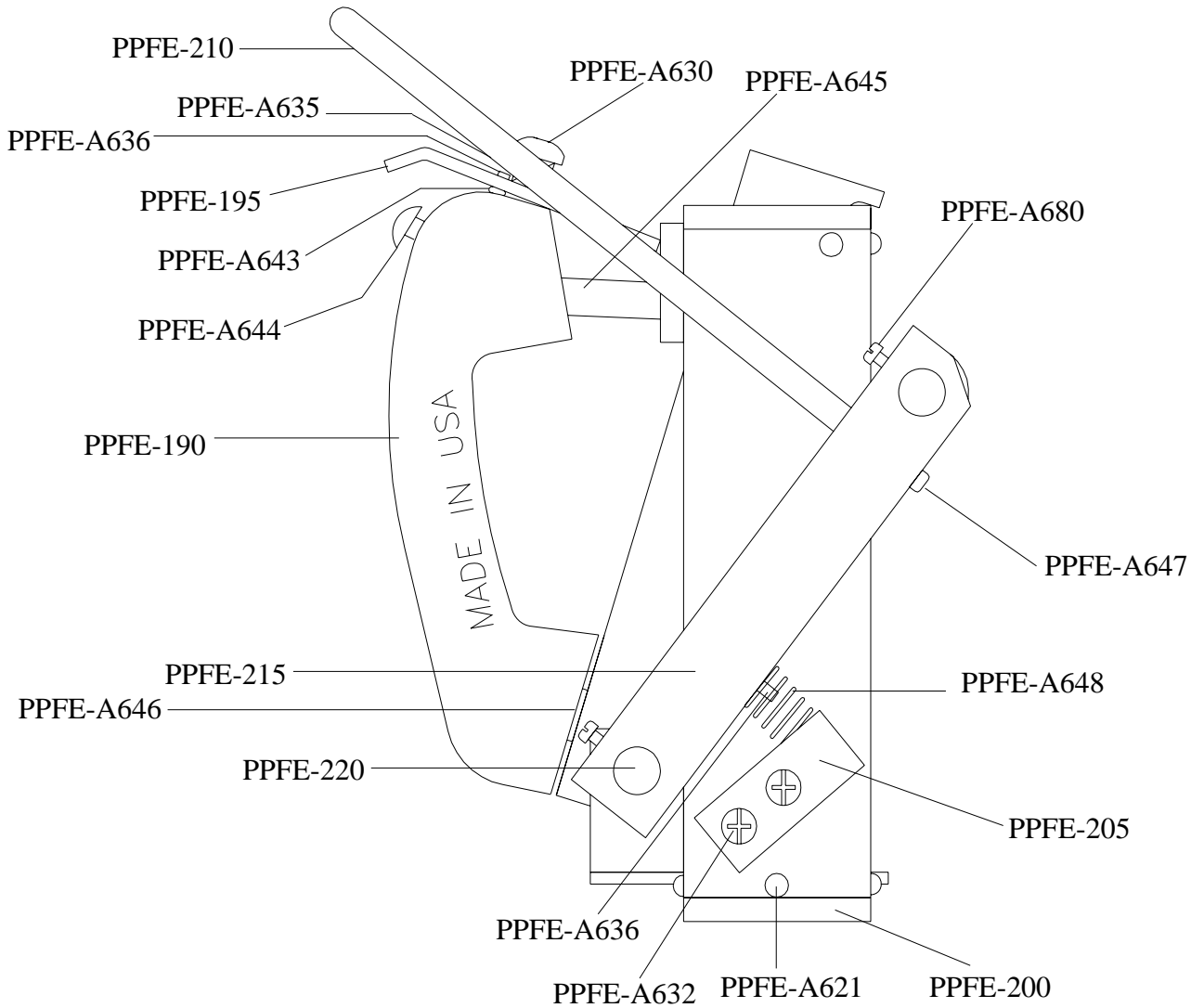
Rear Main View

PART #	DESCRIPTION	QTY
PPFE-075	Cart Bearing Tubes Mounting Brackets	2
PPFE-085	Horizontal Tube Mounting Bracket	1
PPFE-085.05	T-Nut	1
PPFE-085.06	T-Nut Washer	1
PPFE-A125	Star shaped knob	2
PPFE-A600	CRMS Fastener 1/4-20 x 1"	5
PPFE-A602	Bearing Tube & Mounting Bracket fasteners 5/16-18 x 3/4"	4
PPFE-A603	7/8" Flat Washer	4
PPFE-A604	1/4-20 X 1 1/2" Hex Cap Bolt (Safety)	1
PPFE-A607	Extrusion Attaching bolts 1/4-20 x 2"	4
PPFE-A609	Hex Head Screw 3/8-16 x 1 1/2"	4
PPFE-A610	3/8-16 Jam Nut	4
PPFE-A611	4/40 Nylock Nut	18
PPFE-A625	1/4" Flat Washer	4
PPFE-A626	External Tooth Lock Washer	1
PPFE-A653	1/4-20 Nylock Nut (Safety)	1
PPFE-A659	1/4-20 Jam Nut	4
PPFE-A661	3/8-16 Slab Weld Nut	4
PPFE-A678	1/4 X 3/4 Steel Slotted Spring Pin	4

Note 1
Serial # 100107 to 113707
Horizontal tube mounting bracket is above ridge line of the horizontal extrusion.

Note 2
Serial # 113807 and above
Horizontal tube mounting bracket is below ridge line of the horizontal extrusion.

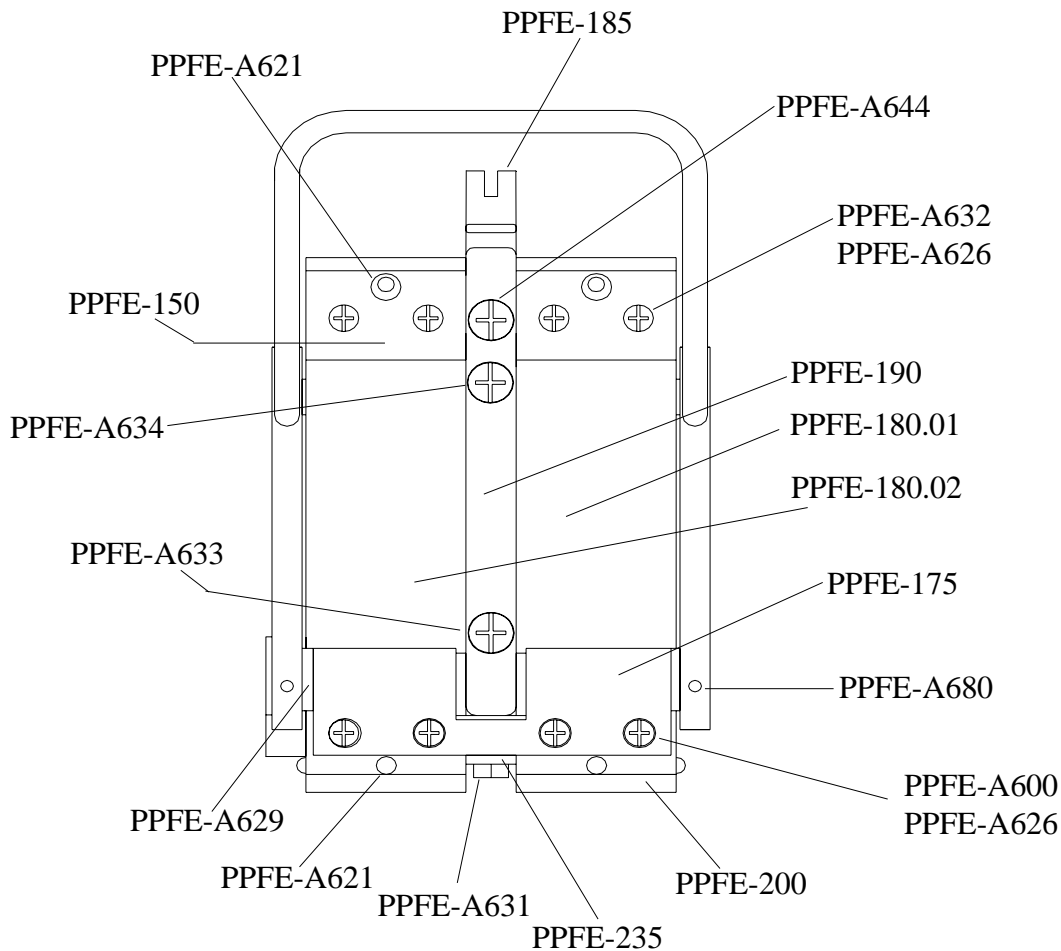
Onyx 90 Media Cutter



Cart Assembly - Side View		
PART #	DESCRIPTION	QTY
PPFE-190	Cart Handle	1
PPFE-195	Stop Finger	1
PPFE-200	Cart Bearings	4
PPFE-205	Acrylic spring retainer	1
PPFE-210	Acrylic Cracker Handle	1
PPFE-215	Acrylic Roller Lever	2
PPFE-220	Main Cart Axials	2
PPFE-A621	Drive Screw #6 & lockwasher	12
PPFE-A630	Pan Head Screw 10-24 X 5/8	1
PPFE-A632	CRMS Fastener 1/4-20 x 1/2	2

Cart Assembly - Side View, Cont.		
PART #	DESCRIPTION	QTY
PPFE-A635	Compression Spring 1/2"	1
PPFE-A636	Spring retainer pin 1/8 x 5/8	1
PPFE-A643	O-Ring 1/4 x 3/8	1
PPFE-A644	Jam Nut 3/8-16 x 1	1
PPFE-A645	Vinyl Tubing - Cart Handle	1
PPFE-A646	O-Ring 3/8 x 9/16	1
PPFE-A647	Pan Head Screw 8/32 x 3/4	2
PPFE-A648	Compression Spring 1 1/2"	1
PPFE-A680	Pan Head Screws 8-32x3/8	4

Onyx 90 Media Cutter



Cart Assembly - Front View

PART #	DESCRIPTION	QTY
PPFE-150	Steel Stop Plate	1
PPFE-175	Pivot Block Housing	1
PPFE-180.01	Cart Bearing tube right	1
PPFE-180.02	Cart Bearing tube left	1
PPFE-185	Main Pivot Swing Arm	1
PPFE-190	Cart Handle	1
PPFE-200	Cart Bearings	4
PPFE-235	Spring Anchor Bracket	1
PPFE-A600	CRMS Fastener 1/4-20 x 1	4

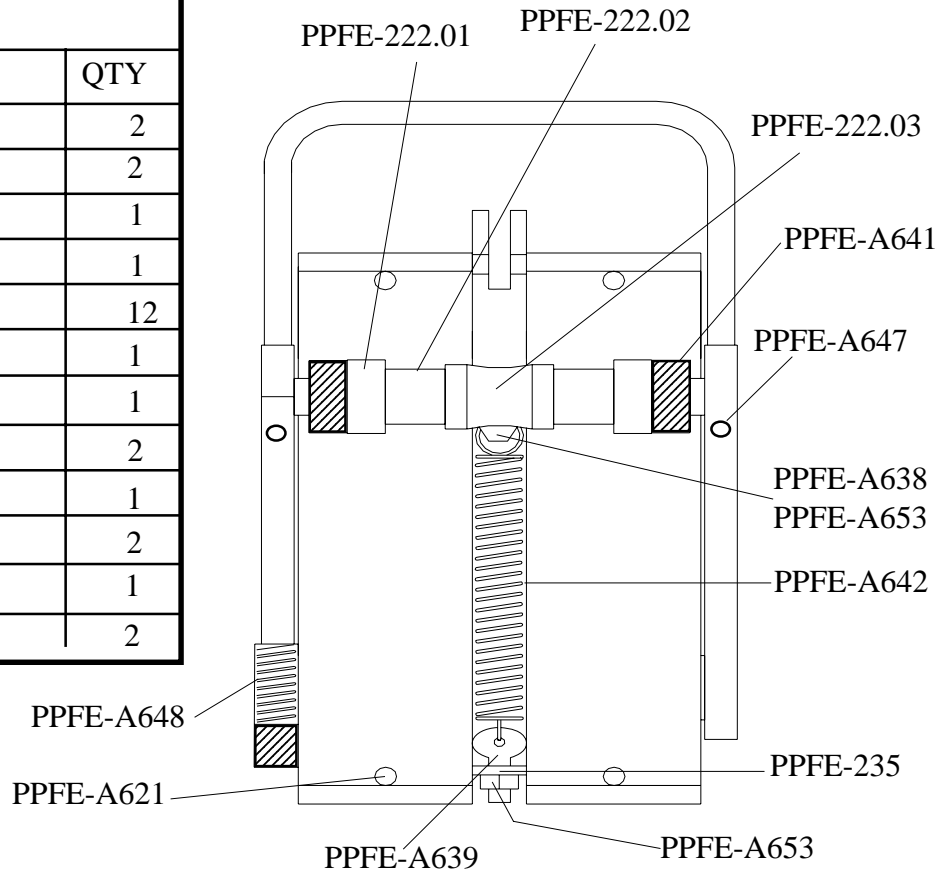
Cart Assembly - Front View

PART #	DESCRIPTION	QTY
PPFE-A621	Drive Screw Nail #6 x 1/4	12
PPFE-A626	External tooth lock washers 1/4	8
PPFE-A629	Brz flanged bearings 1/2 x 5/8	4
PPFE-A631	Self Tapping Screw 10-24 x 5/8	2
PPFE-A632	CRMS Fastener 1/4-20 x 1/2	4
PPFE-A633	CRMS Fastener 3/8-16 x 1 1/2	1
PPFE-A634	Depth Adj. Screw 3/8-16 x 3	1
PPFE-A644	Jam Screw 3/8-16 x 1	1
PPFE-A680	Pan Head Screws 8-32x3/8	4

Onyx 90 Media Cutter

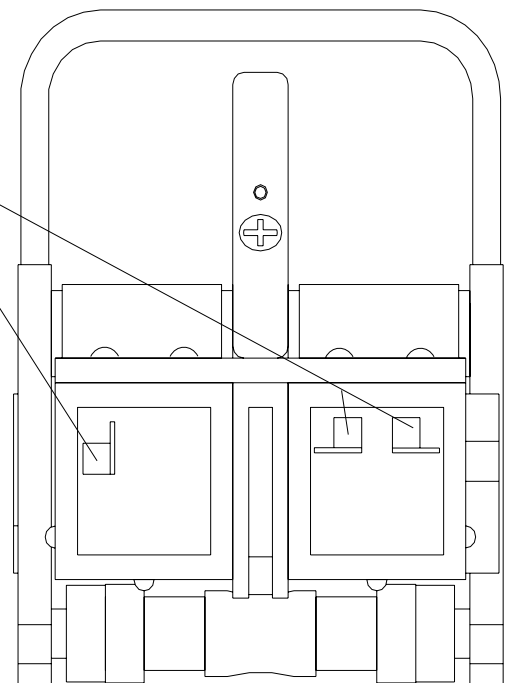
Cart Assembly - Rear View

PART #	DESCRIPTION	QTY
PPFE-222.01	Acrylic Rollers Narrow	2
PPFE-222.02	Acrylic Rollers Wide	2
PPFE-222.03	Acrylic Rollers Beveled	1
PPFE-235	Spring Anchor Bracket	1
PPFE-A621	Easy Drive Screw Nail	12
PPFE-A638	1/4-20x 1" Slotted Pan	1
PPFE-A639	Spade Head Thumb Screw	1
PPFE-A641	Shaft Lock Collars	2
PPFE-A642	Extension Spring 2-1/2"	1
PPFE-A647	Pan Head Screw 8/32 x 3/4	2
PPFE-A648	Compression Spring 1-1/2"	1
PPFE-A653	Nylock Nut 1/4-20	2

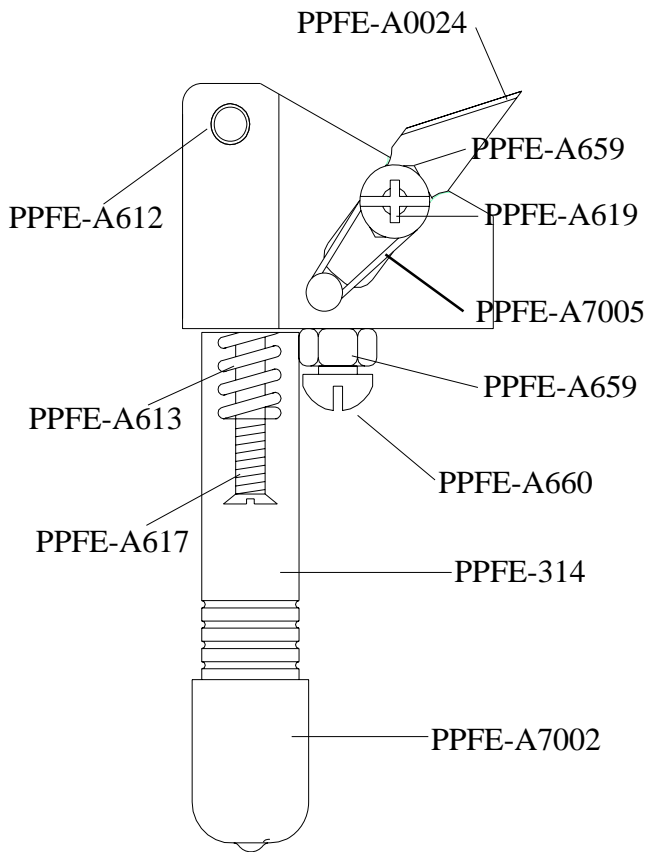


PPFE-A690

Cart Assembly - Top View		
PART #	DESCRIPTION	QTY
PPFE-A690	1/4-20 Slab Nut	10

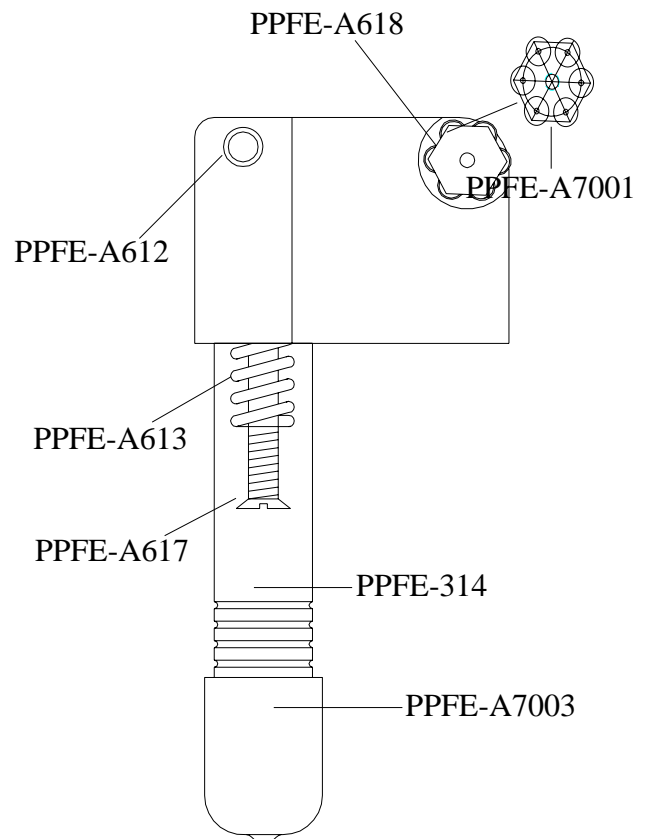


Onyx 90 Media Cutter

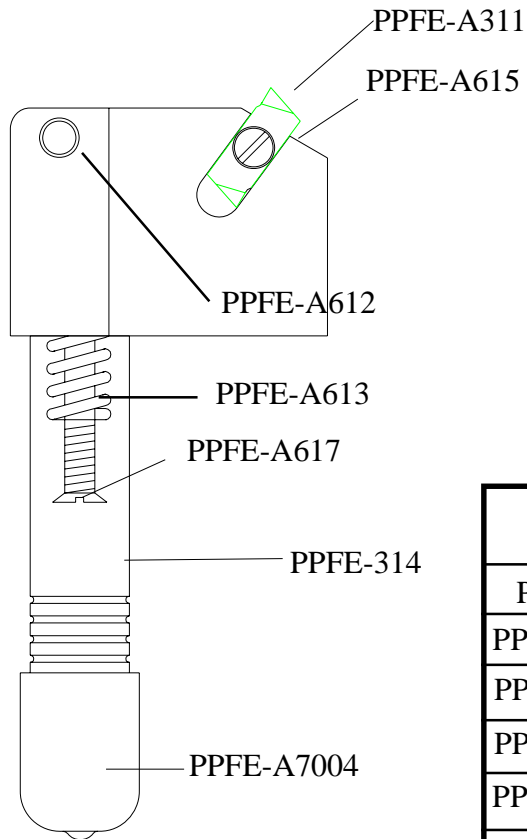


Mat Cutting Tool Holder (Blade sold separately)		
PART #	DESCRIPTION	QTY
PPFE-0024A	Mat Cutting Blades (100/pk)	1
PPFE-305	Mat Cutting Tool Holder	1
PPFE-314	Handle	1
PPFE-A612	Steel Slotted Spring Pin 1/4 x 1/2	1
PPFE-A613	1 1/4" Compression Spring	1
PPFE-A7002	Rubber Grip Black	1
PPFE-A617	10/24 x 1 3/4 Flat Head Screw	1
PPFE-A619	1/4-20 x 3/8 Slotted Screw	1
PPFE-A659	1/4-20 Jam Nut	1
PPFE-A660	1/4-20 x 5/8 Slotted Screw	1
PPFE-A7005	Rubber O ring	1

Glass Cutting Tool Holder (Turret sold separately)		
PART #	DESCRIPTION	QTY
PPFE-302	Glass Cutting Tool Holder	1
PPFE-314	Handle	1
PPFE-A612	Steel Slotted Spring Pin 1/4 x 1/2	1
PPFE-A613	1 1/4" Compression Spring	1
PPFE-A7003	Rubber Grip Red	1
PPFE-A617	10/24 x 1 3/4 Flat Head Screw	1
PPFE-A618	12mm Metric Machine Screw	1
PPFE-A7001	Glass Turret (6 carbide wheels)	1



Onyx 90 Media Cutter



Acrylic Cutting Tool Holder (Carbide Cutter sold separately)		
PART #	DESCRIPTION	QTY
PPFE-310	Acrylic Tool Holder	1
PPFE-314	Handle Assembly	1
PPFE-A311	Carbide Cutter (2 ended)	1
PPFE-A612	Steel Slotted Spring Pin 1/4 x 1/2	1
PPFE-A613	1 1/4" Compression Spring	1
PPFE-A615	Blade Retainer Screw 6-32x1/4	1
PPFE-A7004	Rubber Grip Blue	1
PPFE-A617	10/24 x 1 3/4 Flat Head Screw	1

Onyx 90 Media Cutter

Mounting Brackets		
PART #	DESCRIPTION	Qty
PPFE-500.01	Top Mounting Bracket	1
PPFE-500.02	Bottom Mounting Bracket	1
PPFE-500.03	Left or Right Mounting Bracket	2
PPFE-010.1	"Professional PPF" Vinyl letters	1
PPFE-010.2	"Onyx 90" Vinyl letters	1

Vinyl letters

Professional Picture Frame Equipment

Onyx 90

PPFE-010.2

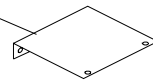
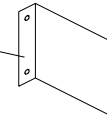
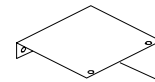
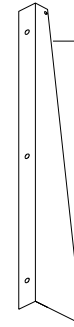
PPFE-010.1

PPFE-500.03

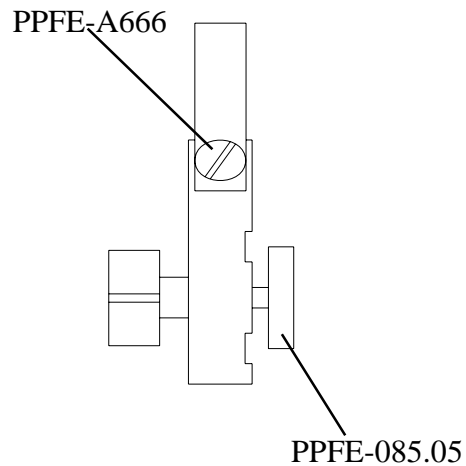
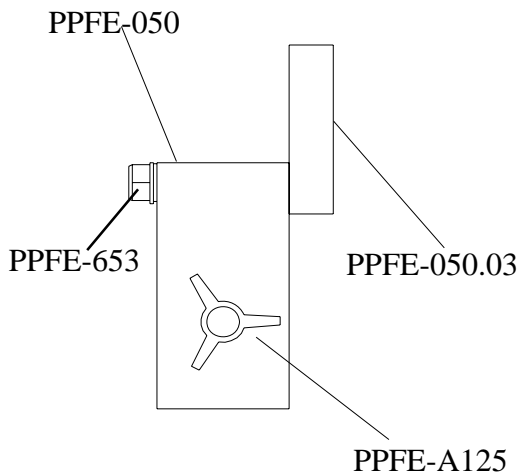
PPFE-500.02

PPFE-500.01

PPFE-500.03



Production Stop		
PART #	DESCRIPTION	Qty
PPFE-050	Production Stop Assembly	1
PPFE-050.03	Stop Finger	1
PPFE-085.05	T-Nut	1
PPFE-A125	Star Shaped Nylon Knob	1
PPFE-A653	1/4-20 Nylock Nut	1
PPFE-A666	1/4-20x 2 1/4" Flat Head Screw	1



Onyx 90 Media Cutter

Boxes Included with Onyx 90

Hardware Box 4 Parts Bags included in each box		
PART #	DESCRIPTION	Qty
PPFE-A637	Wall Mount Hardware Box (Complete)	1
PPFE-A663	13/32" Flat Washer - Bag #1	10
PPFE-A664	Screw Anchors - Bag #1	10
PPFE-A665	# 10 x 1" Pan Head - Bag #1	10
PPFE-A607	1/4-20 x 2" CRMS Fastener - Bag #2	4
PPFE-A625	1/4 Flat Washer - Bag #2	8
PPFE-A632	1/4-20 x 1/2" CRMS Fastener - Bag #2	4
PPFE-A653	1/4-20 Nylock Nut - Bag #2	8
PPFE-A601	4/40 x 3/8" Machine Screw- Bag #3	20
PPFE-A611	4/40" Nylock Nut - Bag #3	20
PPFE-A602	5/16-18 x 3/4" Hex Cap Screw - Bag #4	4
PPFE-A603	5/16-18 Flat Washer - Bag #4	4

Tooling Package Box		
PART #	DESCRIPTION	Qty
PPFE-305	Mat Cutting Tool Holder	1
PPFE-302	Glass Cutting Tool Holder	1
PPFE-310	Acrylic Cutting Tool Holder	1
PPFE-0024	Spare Blades for Mat Cutter	1
PPFE-A662	1/4" Allen Wrench for Mat Cutter	1