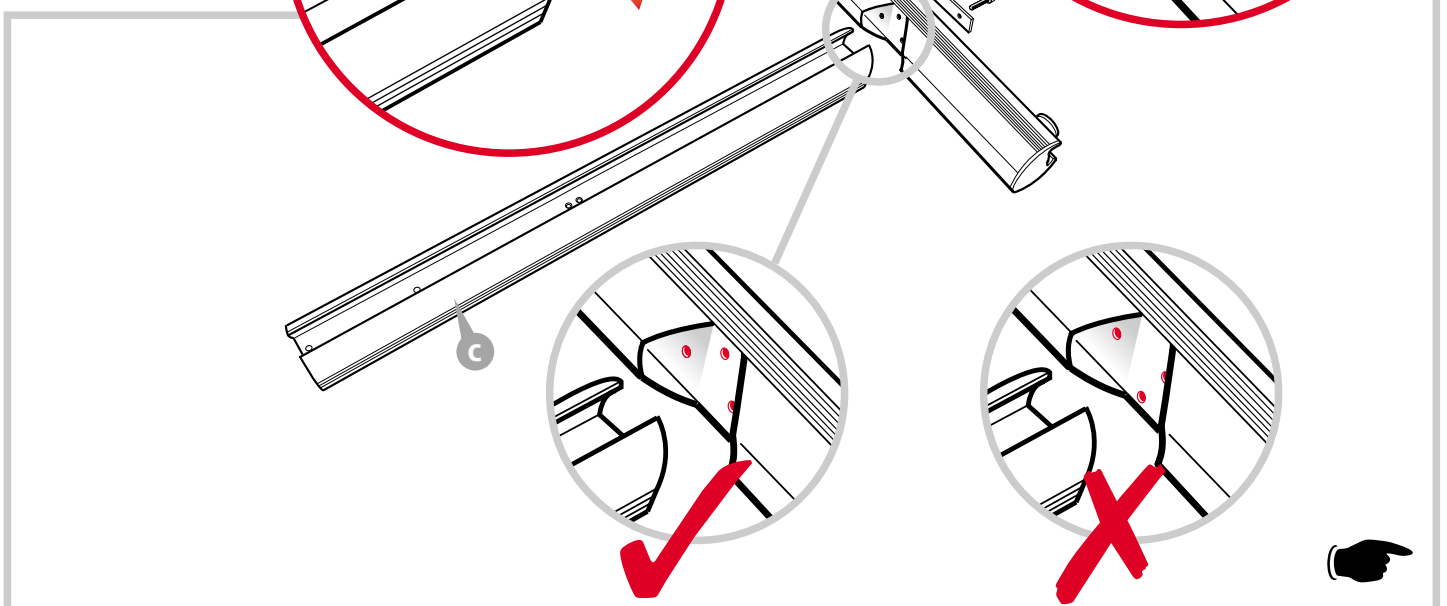
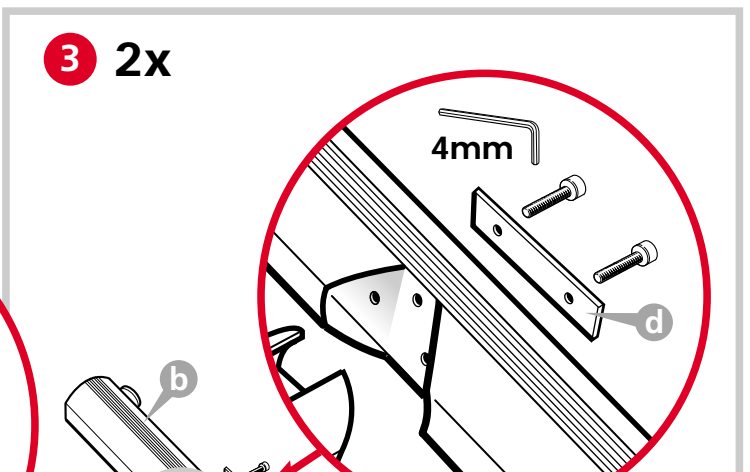
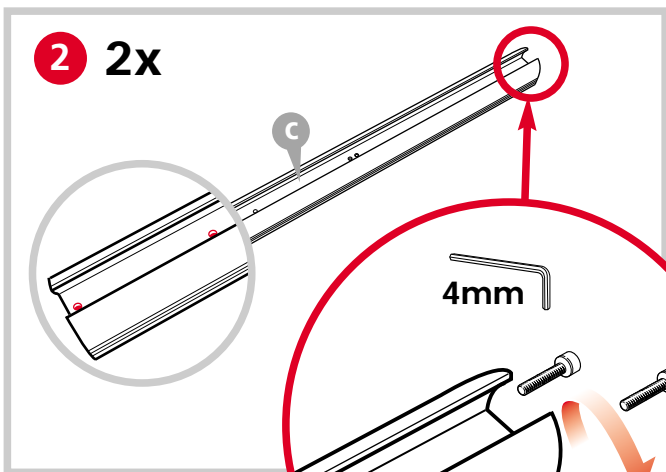
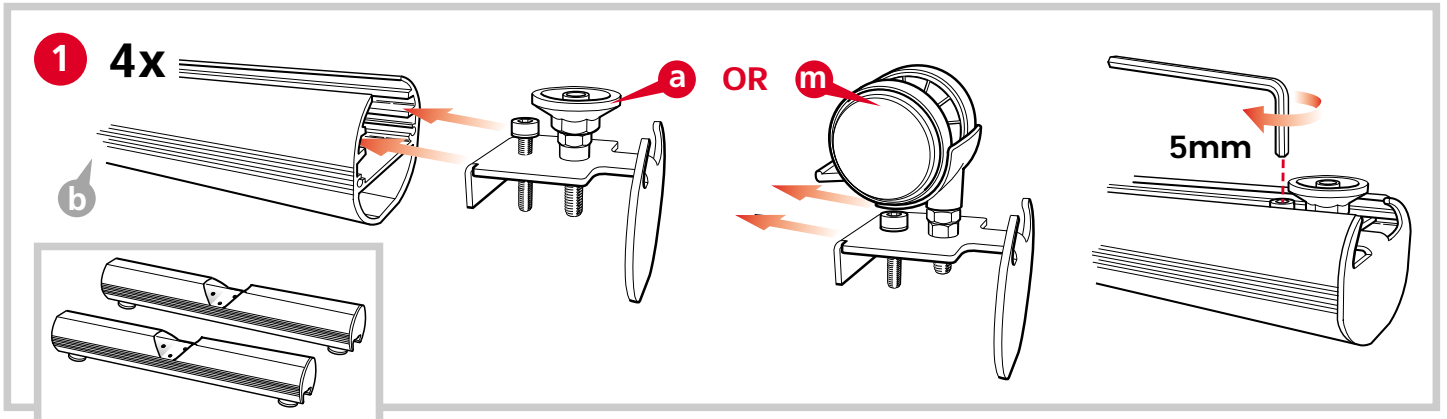
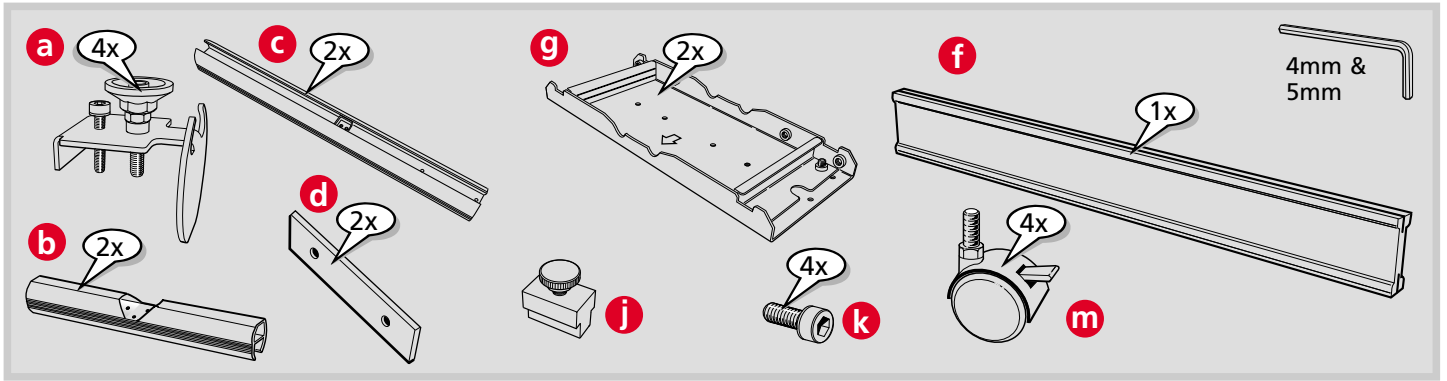
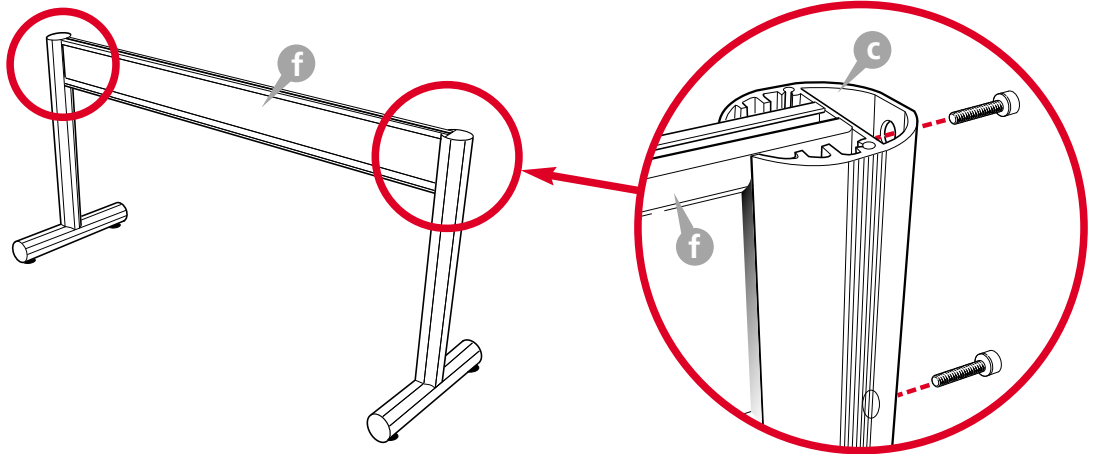


**CUTTER STAND**  
with Optional ROLL FEED & WASTE CATCHER

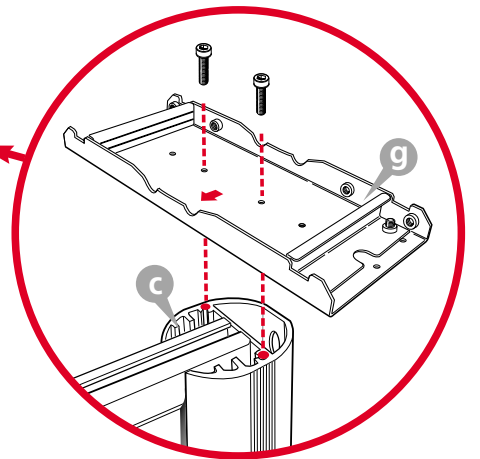
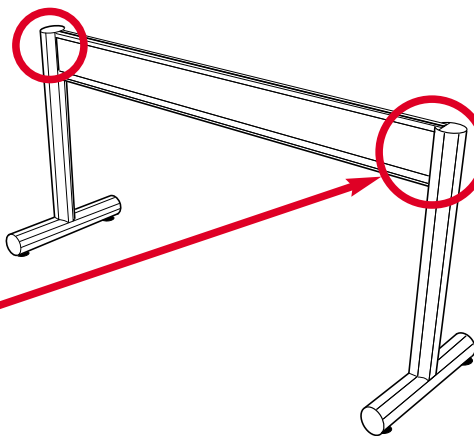
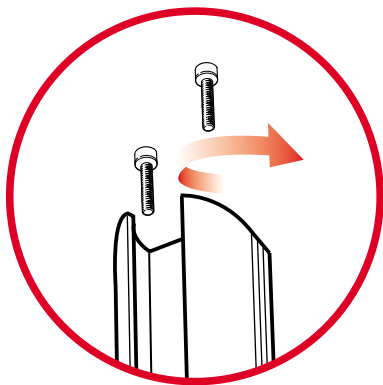


4 2x

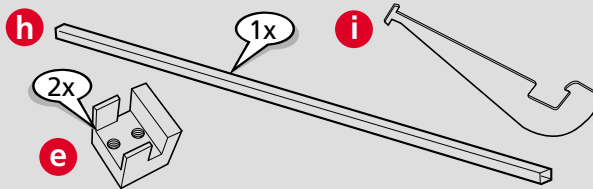
4mm



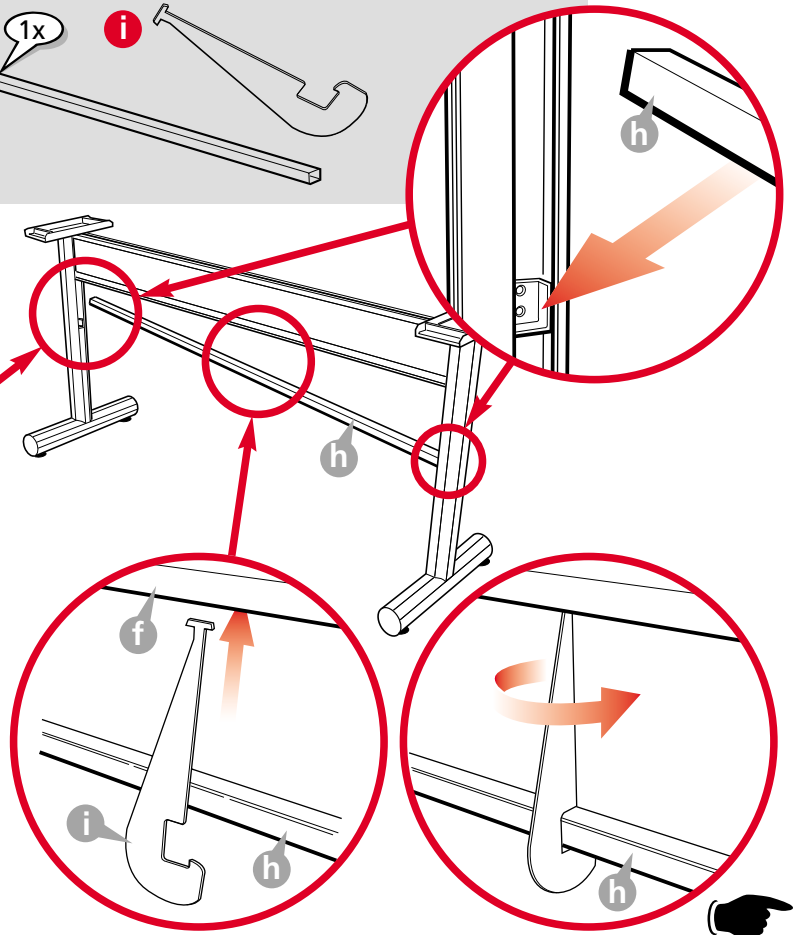
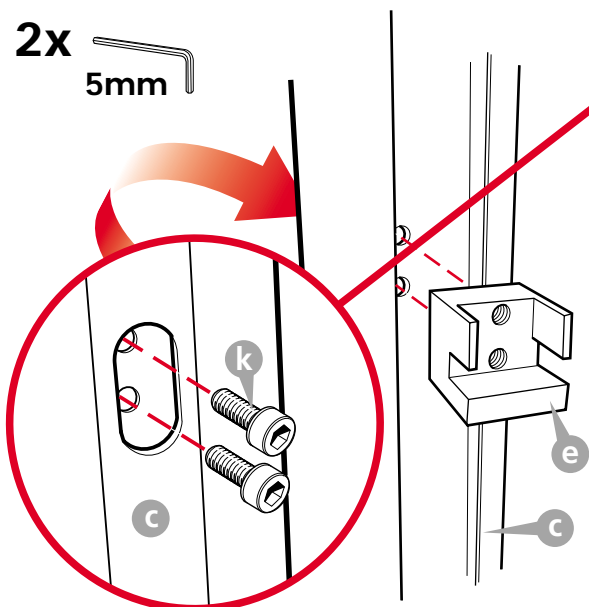
5 2x 4mm



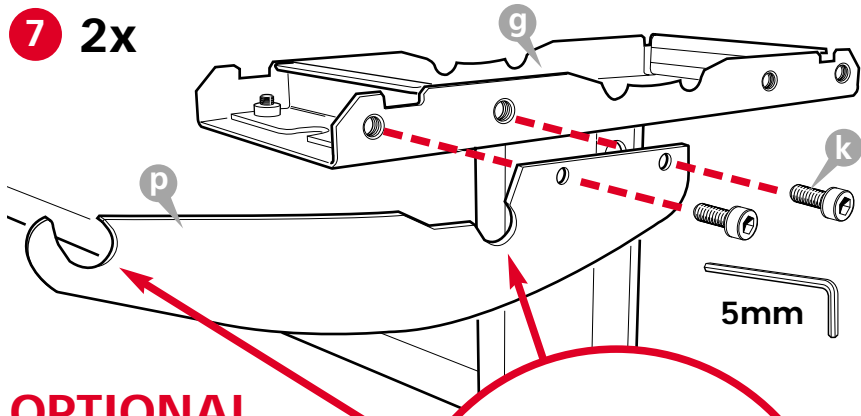
6 **OPTIONAL**  
Roll Feed



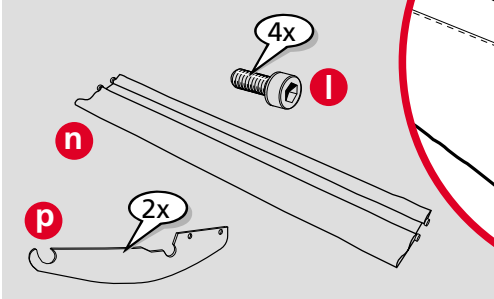
2x 5mm



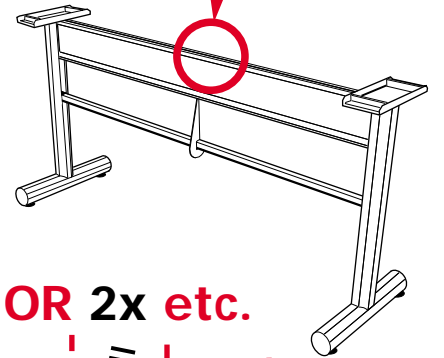
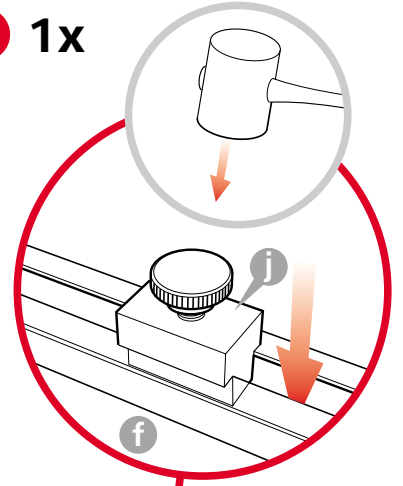
7 2x



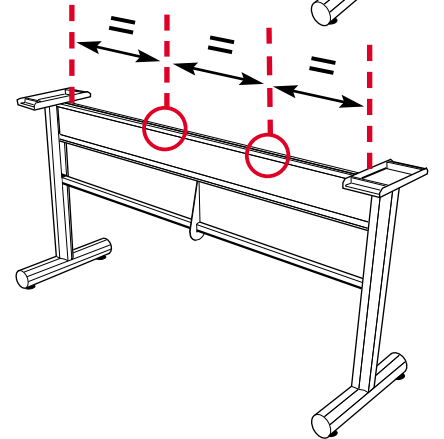
**OPTIONAL**  
Waste Catcher



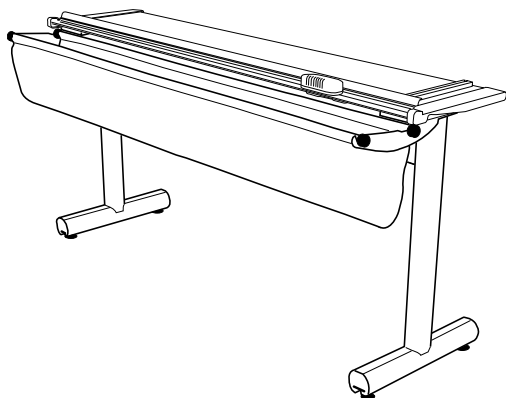
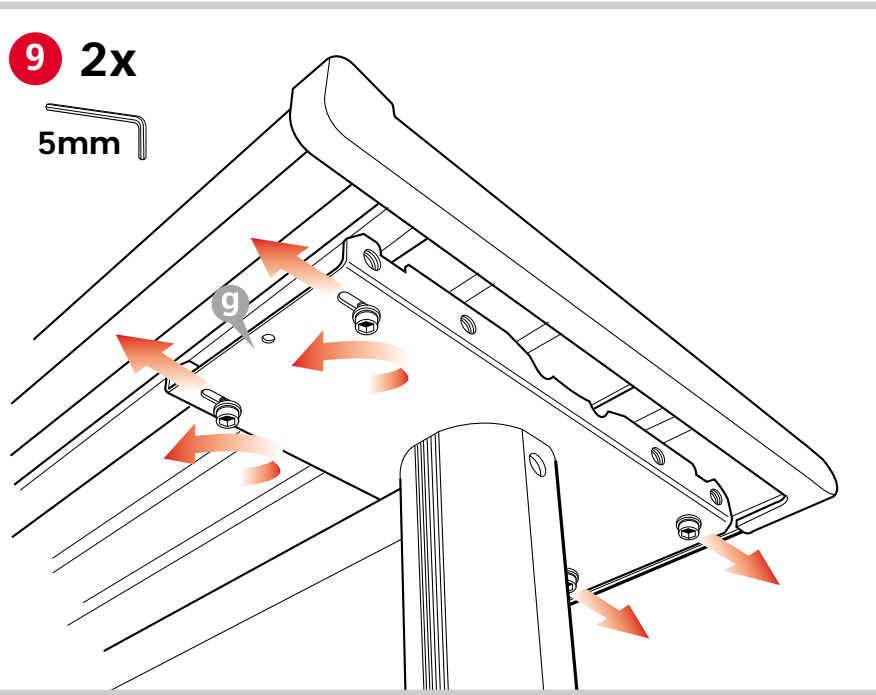
8 1x



OR 2x etc.



9 2x



10 1x or 2x etc.

